



Obsolescence Notice

This product is obsolete.

This information is available for your convenience only.

For more information on Zarlink's obsolete products and replacement product lists, please visit http://products.zarlink.com/obsolete_products/

MA5104

RADIATION HARD 4096 x 1 BIT STATIC RAM

The MA5104 4k Static RAM is configured as 4096 x 1 bits and manufactured using CMOS-SOS high performance, radiation hard, 3µm technology.

The device has separate input and output terminals controlled by Chip Select and Write Enable. The design uses a 6 transistor cell and has full static operation with no clock or timing strobe required. Address input buffers are deselected when Chip Select is in the HIGH state.

Operation Mode	CS	WE	I/O	Power
Read	L	H	D OUT	ISB1
Write	L	L	D IN	
Standby	H	X	High Z	ISB2

Figure 1: Truth Table

FEATURES

- 3µm CMOS-SOS Technology
- Latch-up Free
- Fast Access Time 90ns Typical
- Total Dose 10⁶ Rad(Si)
- Transient Upset >10¹⁰ Rad(Si)/sec
- SEU <10⁻¹⁰ Errors/bitday
- Single 5V Supply
- Three State Output
- Low Standby Current 10µA Typical
- -55°C to +125°C Operation
- All Inputs and Outputs Fully TTL or CMOS Compatible
- Fully Static Operation

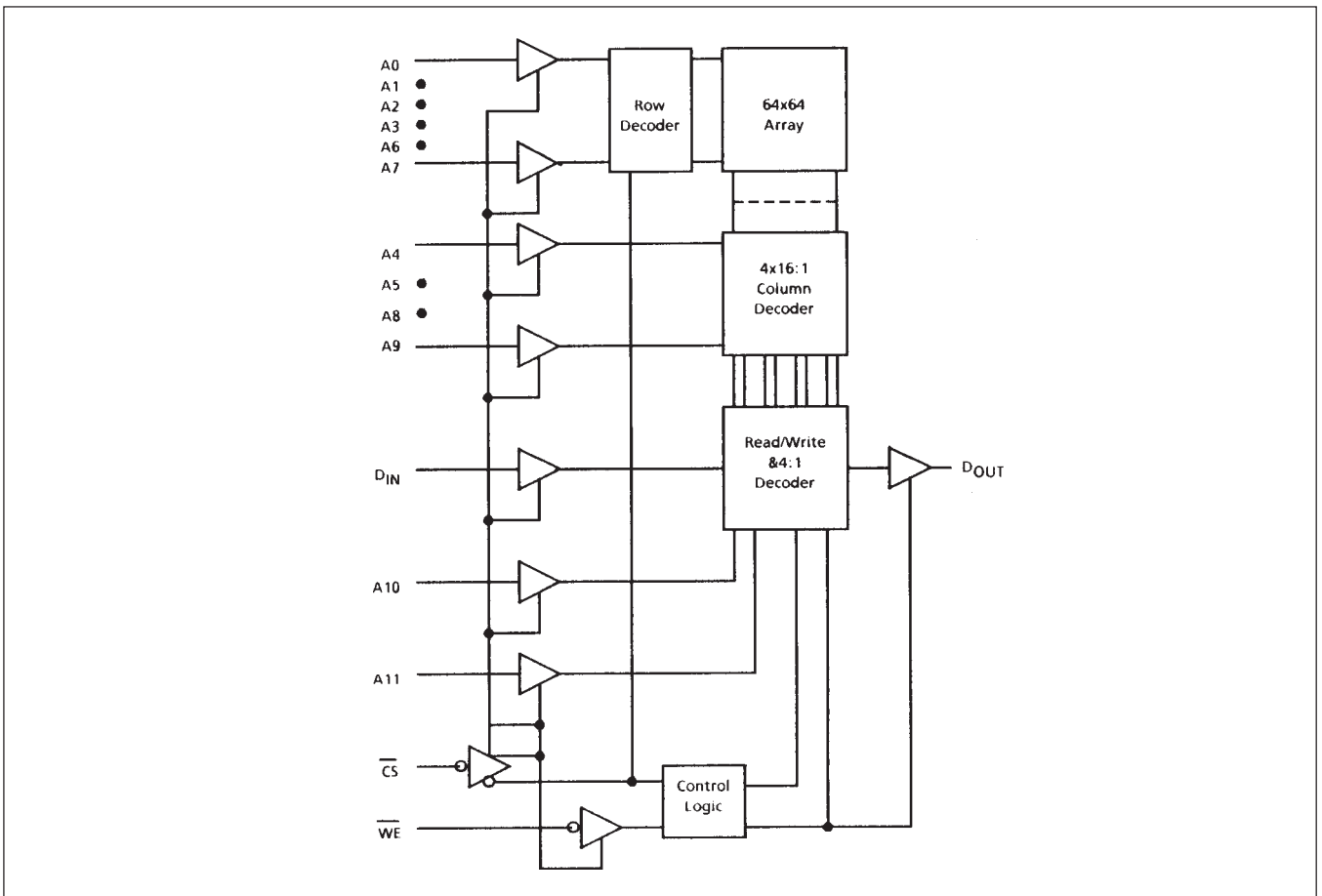


Figure 2: Block Diagram

CHARACTERISTICS AND RATINGS

Symbol	Parameter	Min.	Max.	Units
V _{CC}	Supply Voltage	-0.5	7	V
V _I	Input Voltage	-0.3	V _{DD} +0.3	V
T _A	Operating Temperature	-55	125	°C
T _S	Storage Temperature	-65	150	°C

Stresses above those listed may cause permanent damage to the device. This is a stress rating only and functional operation of the device at these conditions, or at any other condition above those indicated in the operations section of this specification, is not Implied Exposure to absolute maximum rating conditions for extended periods may affect device reliability.

Figure 3: Absolute Maximum Ratings

Notes for Tables 4 and 5:

1. Characteristics apply to pre radiation at T_A = -55°C to +125°C with V_{DD} = 5V ±10% and to post 100k Rad(Si) total dose radiation at T_A = 25°C with V_{DD} = 5V ±10% (characteristics at higher radiation levels available on request).
 2. Worst case at T_A = +125°C, guaranteed but not tested at T_A = -55°C.
- GROUP A SUBGROUPS 1, 2, 3.

Symbol	Parameter	Conditions	Min.	Typ.	Max.	Units
V _{DD}	Supply voltage	-	4.5	5.0	5.5	V
V _{IH}	Input High Voltage	-	V _{DD} /2	-	V _{DD}	V
V _{IL}	Input Low Voltage	-	V _{SS}	-	0.8	V
V _{OH}	Output High Voltage	I _{OH1} = -1mA	2.4	-	-	V
V _{OL}	Output Low Voltage	I _{OL} = 2mA	-	-	0.4	V
I _{LI}	Input Leakage Current (note 2)	All inputs except <u>CS</u>	-	-	±10	µA
I _{LO}	Output Leakage Current (note 2)	Output disabled, V _{OUT} = V _{SS} or V _{DD}	-	-	±20	µA
I _{PUI}	Input Pull-Up Current	V _{IN} = V _{SS} on <u>CS</u> input only	-	-	-100	µA
I _{PDI}	Input Leakage Current	V _{IN} = V _{SS} on <u>CS</u> input only	-	-	5	µA
I _{DD}	Power Supply Current	f _{RC} = 1MHz, <u>CS</u> = 50% mark:space	-	12	16	mA
I _{SB1}	Selected Supply Current	<u>CS</u> = V _{SS}	-	25	35	mA
I _{SB2}	Standby Supply Current	Chip disabled	-	50	3000	µA

Figure 4: Electrical Characteristics

Symbol	Parameter	Conditions	Min.	Typ.	Max.	Units
V _{DR}	V _{CC} for Data Retention	<u>CS</u> = V _{DR}	2.0	-	-	V
I _{DDR}	Data Retention Current	<u>CS</u> = V _{DR} , V _{DR} = 2.0V	-	30	2000	µA

Figure 5: Data Retention Characteristics

AC CHARACTERISTICS

Conditions of Test for Tables 5 and 6:

1. Input pulse = V_{SS} to 3.0V.
2. Times measurement reference level = 1.5V.
3. Transition is measured at $\pm 500\text{mV}$ from steady state.
4. This parameter is sampled and not 100% tested.

Notes for Tables 6 and 7:

Characteristics apply to pre-radiation at $T_A = -55^\circ\text{C}$ to $+125^\circ\text{C}$ with $V_{DD} = 5V \pm 10\%$ and to post 100k Rad(Si) total dose radiation at $T_A = 25^\circ\text{C}$ with $V_{DD} = 5V \pm 10\%$. GROUP A SUBGROUPS 9, 10, 11.

Symbol	Parameter	Min	Max	Units
T_{AVAVR}	Read Cycle Time	135	-	ns
T_{AVQV}	Address Access Time	-	135	ns
T_{ELQV}	Chip Select to Output Valid	-	135	ns
T_{ELQX} (4)	Chip Select to Output Active	10	-	ns
T_{ELQZ} (4)	Chip Select to Output Tri State	10	50	ns
T_{AXQX}	Output Hold from Address Change	10	-	ns

Figure 6: Read Cycle AC Electrical Characteristics

Symbol	Parameter	Min	Max	Units
T_{AVAVW}	Write Cycle Time	135	-	ns
T_{AVWL}	Address Set Up Time	10	-	ns
T_{WLWH}	Write Pulse Width	50	-	ns
T_{WHAV}	Write Recovery Time	5	-	ns
T_{DVWH}	Data Set Up Time	35	-	ns
T_{NHDX}	Data Hold Time	5	-	ns
T_{WLQZ} (4)	Write Enable to Output Tri State	10	50	ns
T_{ELWL}	Chip Selection to Write Low	25	-	ns
T_{ELWH}	Chip Selection to End of Write	85	-	ns
T_{AVWH}	Address Valid to End of Write	80	-	ns
T_{WHQX} (4)	Output Active from End to Write	5	-	ns

Figure 7: Write Cycle AC Electrical Characteristics

Symbol	Parameter	Conditions	Min.	Typ.	Max.	Units
C_{IN}	Input Capacitance	$V_I = 0V$	-	6	10	pF
C_{OUT}	Output Capacitance	$V_O = 0V$	-	8	12	pF

Note: $T_A = 25^\circ\text{C}$ and $f = 1\text{MHz}$. Data obtained by characterisation or analysis; not routinely measured.

Figure 8: Capacitance

Symbol	Parameter	Conditions
F_T	Basic Functionality	$V_{DD} = 4.5V - 5.5V$, FREQ = 1MHz $V_{IL} = V_{SS}$, $V_{IH} = V_{DD}$, $V_{OL} \leq 1.5V$, $V_{OH} \geq 1.5V$ TEMP = -55°C to +125°C, GPS PATTERN SET GROUP A SUBGROUPS 7, 8A, 8B

Figure 9: Functionality

Subgroup	Definition
1	Static characteristics specified in Tables 4 and 5 at +25°C
2	Static characteristics specified in Tables 4 and 5 at +125°C
3	Static characteristics specified in Tables 4 and 5 at -55°C
7	Functional characteristics specified in Table 9 at +25°C
8A	Functional characteristics specified in Table 9 at +125°C
8B	Functional characteristics specified in Table 9 at -55°C
9	Switching characteristics specified in Tables 6 and 7 at +25°C
10	Switching characteristics specified in Tables 6 and 7 at +125°C
11	Switching characteristics specified in Tables 6 and 7 at -55°C

Figure 10: Definition of Subgroups

TIMING DIAGRAMS

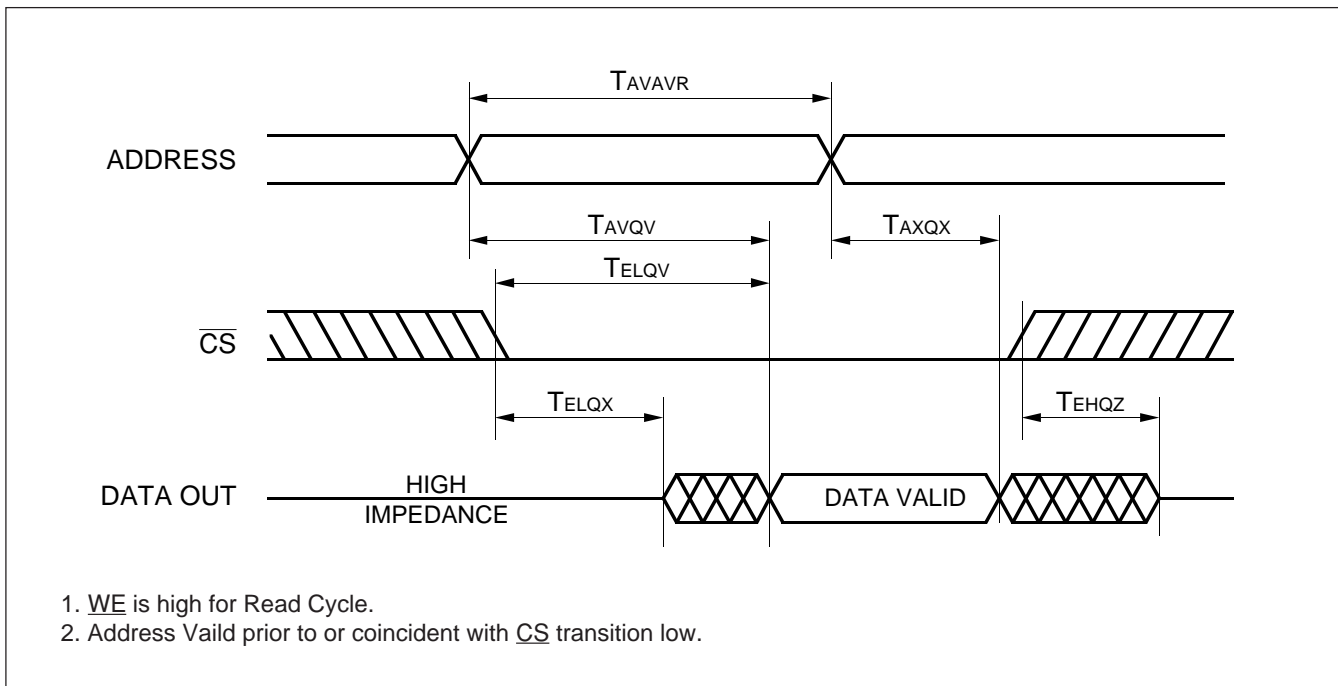


Figure 11a: Read Cycle 1

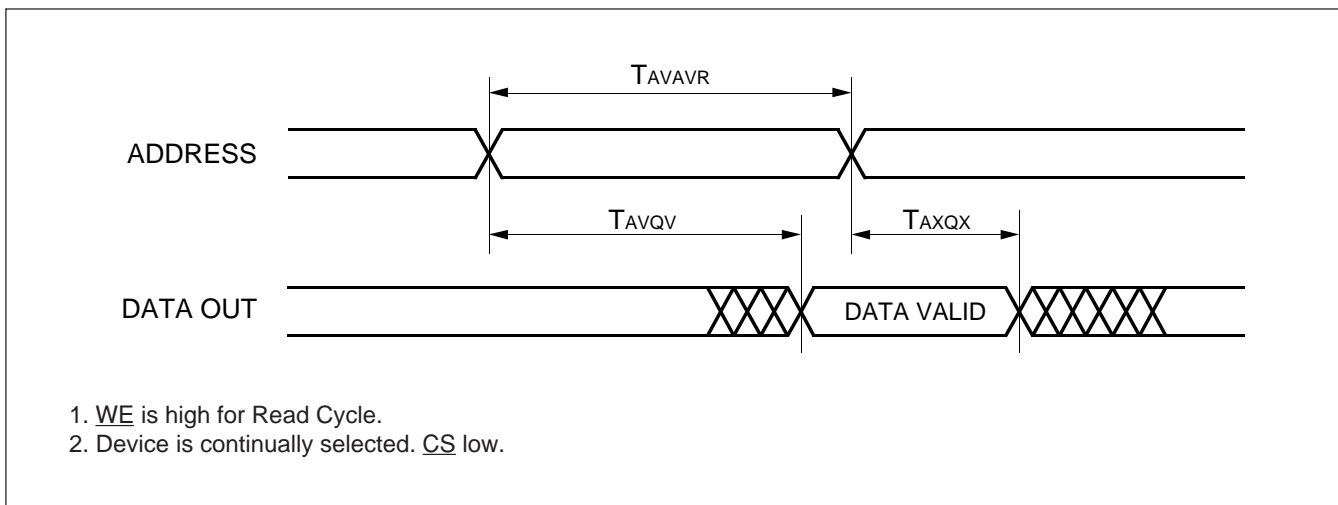
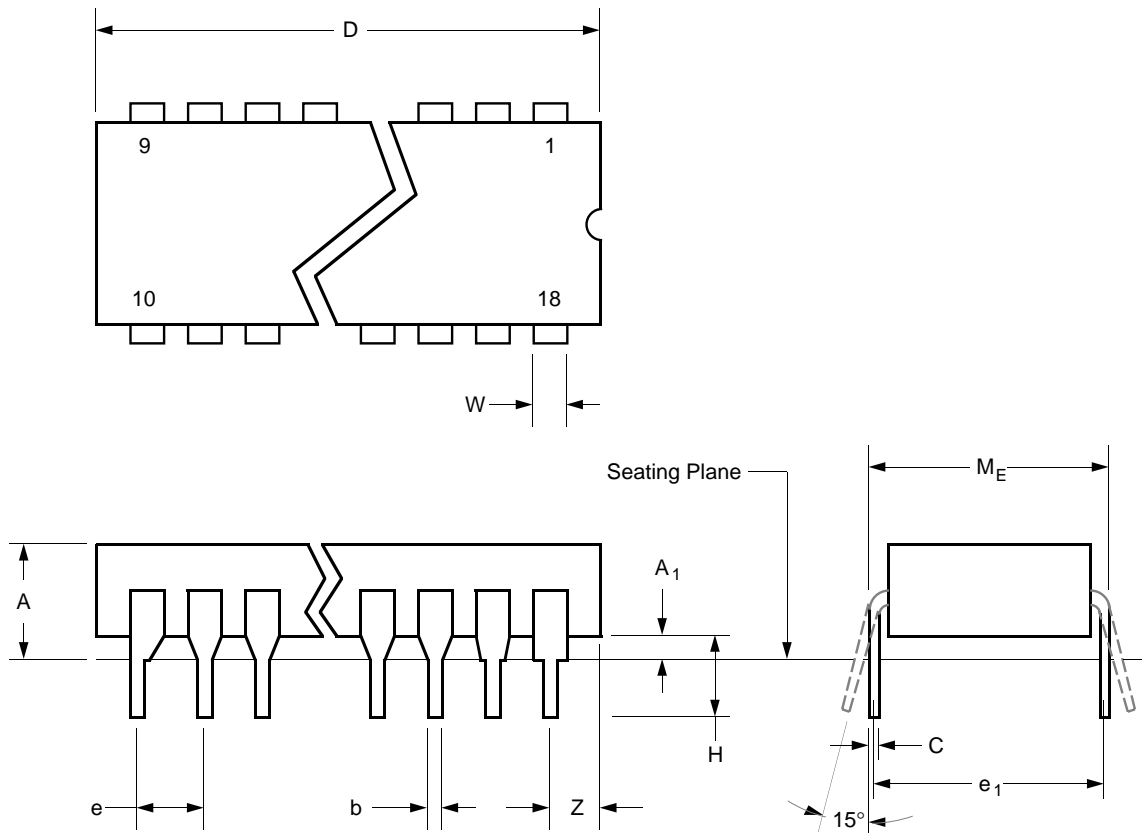


Figure 11b: Read Cycle 2

OUTLINES AND PIN ASSIGNMENTS



Ref	Millimetres			Inches		
	Min.	Nom.	Max.	Min.	Nom.	Max.
A	-	-	5.715	-	-	0.225
A1	0.38	-	1.53	0.015	-	0.060
b	0.35	-	0.59	0.014	-	0.023
c	0.20	-	0.36	0.008	-	0.014
D	-	-	23.11	-	-	0.910
e	-	2.54 Typ.	-	-	0.100 Typ.	-
e1	-	8.13 Typ.	-	-	0.300 Typ.	-
H	4.44	-	5.38	0.175	-	0.212
Me	-	-	8.28	-	-	0.326
Z	-	-	1.27	-	-	0.050
W	-	-	1.53	-	-	0.060

XG406

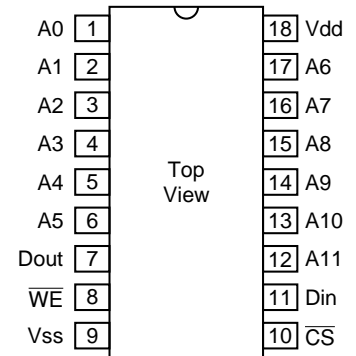
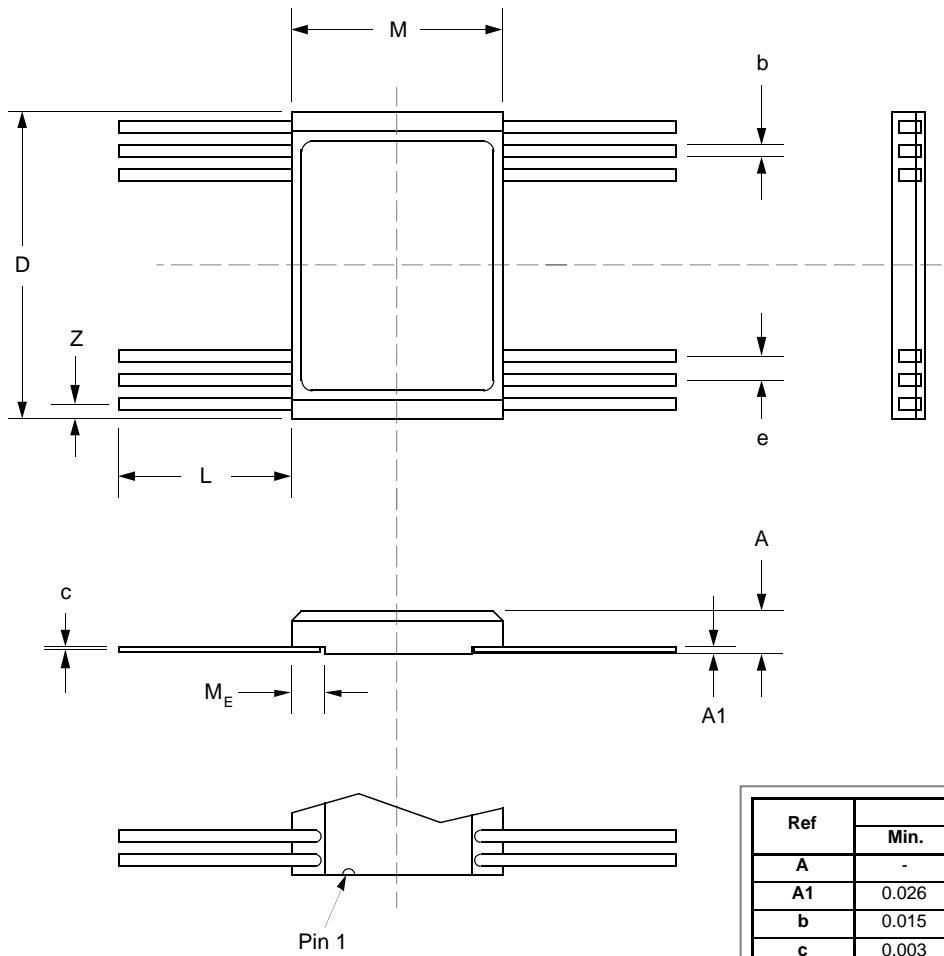


Figure 13: 18-Lead Ceramic DIL (Solder Seal) - Package Style C



Ref	Inches		
	Min.	Nom.	Max.
A	-	-	0.105
A1	0.026	-	-
b	0.015	-	0.019
c	0.003	-	0.006
D	0.590	-	0.610
e	-	0.050	-
L	0.265	-	0.305
M	0.395	-	0.405
Me	0.30	-	-
Z	0.005	-	0.045

XG537

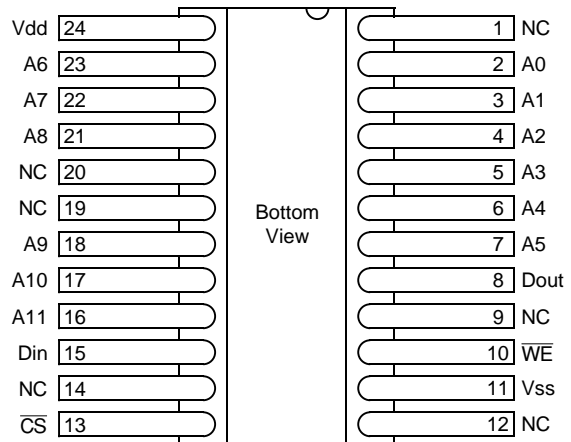


Figure 14: 24-Lead Ceramic Flatpack (Solder Seal) - Package Style F

Function	Package Option		Via	Burnin			Radiation
	F	C		Static 1	Static 2	Dynamic	
A0	2	1	R	0V	5V	F0	5V
A1	3	2	R	0V	5V	F1	5V
A2	4	3	R	0V	5V	F2	5V
A3	5	4	R	0V	5V	F3	5V
A4	6	5	R	0V	5V	F4	5V
A5	7	6	R	0V	5V	F5	5V
DOUT	8	7	R	0V	5V	LOAD	5V
WEB	10	8	R	0V	5V	F12	5V
VSS	11	9	Direct	0V	0V	0V	0V
CSB	13	10	R	0V	5V	0V	5V
DIN	15	11	R	0V	5V	F13	5V
A11	16	12	R	0V	5V	F11	5V
A10	17	13	R	0V	5V	F10	5V
A9	18	14	R	0V	5V	F9	5V
A8	21	15	R	0V	5V	F8	5V
A7	22	16	R	0V	5V	F7	5V
A6	23	17	R	0V	5V	F6	5V
VDD	24	18	Direct	5V	5V	5V	5V

1. F0=150KHz, F1=F0/2, F2=F0/4, F3=F0/8 etc.
2. Burnin R=1k
3. Radiation R=10k

Figure 15: Burnin and Radiation Configuration

RADIATION TOLERANCE

Total Dose Radiation Testing

For product procured to guaranteed total dose radiation levels, each wafer lot will be approved when all sample devices from each lot pass the total dose radiation test.

The sample devices will be subjected to the total dose radiation level (Cobalt-60 Source), defined by the ordering code, and must continue to meet the electrical parameters specified in the data sheet. Electrical tests, pre and post irradiation, will be read and recorded.

GEC Plessey Semiconductors can provide radiation testing compliant with MIL-STD-883 test method 1019, Ionizing Radiation (Total Dose).

Total Dose (Function to specification)*	1x10 ⁵ Rad(Si)
Transient Upset (Stored data loss)	5x10 ¹⁰ Rad(Si)/sec
Transient Upset (Survivability)	>1x10 ¹² Rad(Si)/sec
Neutron Hardness (Function to specification)	>1x10 ¹⁵ n/cm ²
Single Event Upset**	3.4x10 ⁻⁹ Errors/bit day
Latch Up	Not possible

* Other total dose radiation levels available on request

** Worst case galactic cosmic ray upset - interplanetary/high altitude orbit

Figure 16: Radiation Hardness Parameters

SINGLE EVENT UPSET CHARACTERISTICS

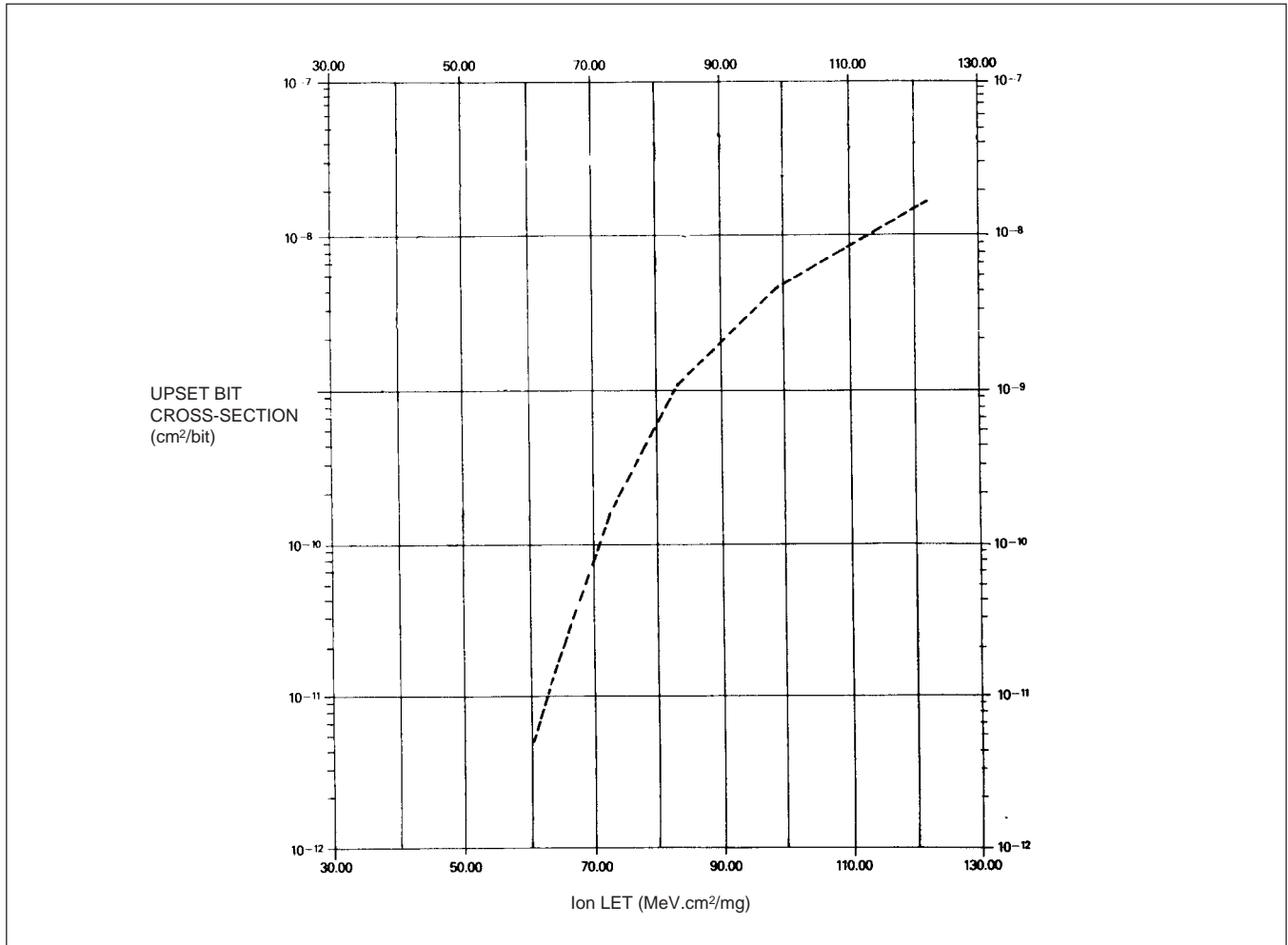
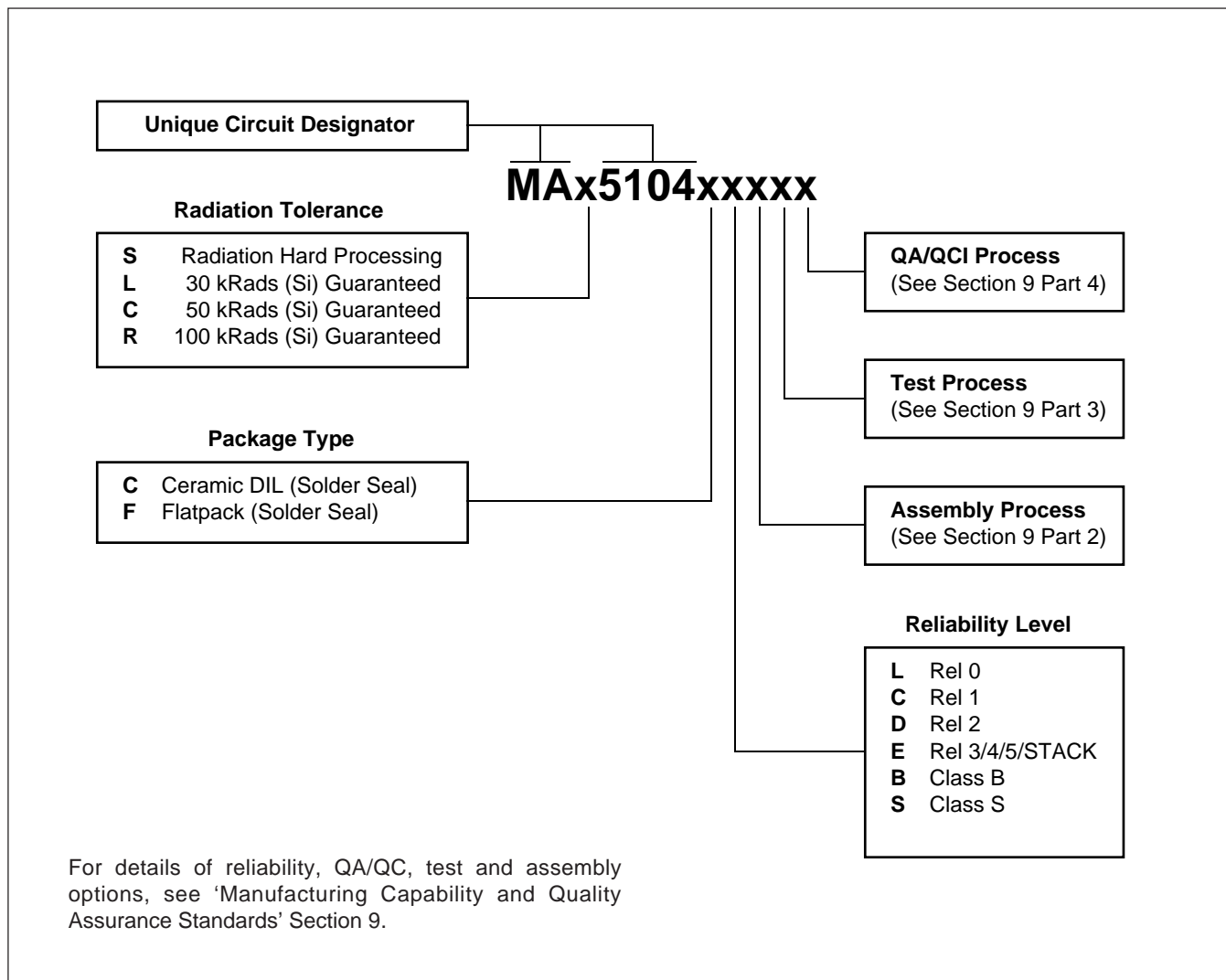


Figure 17: Typical Per-Bit Upset Cross-Section vs Ion LET

ORDERING INFORMATION



HEADQUARTERS OPERATIONS

GEC PLESSEY SEMICONDUCTORS
Cheney Manor, Swindon,
Wiltshire, SN2 2QW, United Kingdom.
Tel: (01793) 518000
Fax: (01793) 518411

GEC PLESSEY SEMICONDUCTORS
P.O. Box 660017,
1500 Green Hills Road, Scotts Valley,
California 95067-0017,
United States of America.
Tel: (408) 438 2900
Fax: (408) 438 5576

CUSTOMER SERVICE CENTRES

- **FRANCE & BENELUX** Les Ulis Cedex Tel: (1) 64 46 23 45 Fax: (1) 64 46 06 07
- **GERMANY** Munich Tel: (089) 3609 06-0 Fax: (089) 3609 06-55
- **ITALY** Milan Tel: (02) 66040867 Fax: (02) 66040993
- **JAPAN** Tokyo Tel: (03) 5276-5501 Fax: (03) 5276-5510
- **NORTH AMERICA** Scotts Valley, USA Tel: (408) 438 2900 Fax: (408) 438 7023
- **SOUTH EAST ASIA** Singapore Tel: (65) 3827708 Fax: (65) 3828872
- **SWEDEN** Stockholm Tel: 46 8 702 97 70 Fax: 46 8 640 47 36
- **TAIWAN, ROC** Taipei Tel: 886 2 5461260 Fax: 886 2 7190260
- **UK, EIRE, DENMARK, FINLAND & NORWAY** Swindon, UK
Tel: (01793) 518527/518566 Fax: (01793) 518582

These are supported by Agents and Distributors in major countries world-wide.

© GEC Plessey Semiconductors 1995 Publication No. DS3580-3.2 April 1995

TECHNICAL DOCUMENTATION - NOT FOR RESALE. PRINTED IN UNITED KINGDOM.

This publication is issued to provide information only which (unless agreed by the Company in writing) may not be used, applied or reproduced for any purpose nor form part of any order or contract nor to be regarded as a representation relating to the products or services concerned. No warranty or guarantee express or implied is made regarding the capability, performance or suitability of any product or service. The Company reserves the right to alter without prior knowledge the specification, design or price of any product or service. Information concerning possible methods of use is provided as a guide only and does not constitute any guarantee that such methods of use will be satisfactory in a specific piece of equipment. It is the user's responsibility to fully determine the performance and suitability of any equipment using such information and to ensure that any publication or data used is up to date and has not been superseded. These products are not suitable for use in any medical products whose failure to perform may result in significant injury or death to the user. All products and materials are sold and services provided subject to the Company's conditions of sale, which are available on request.